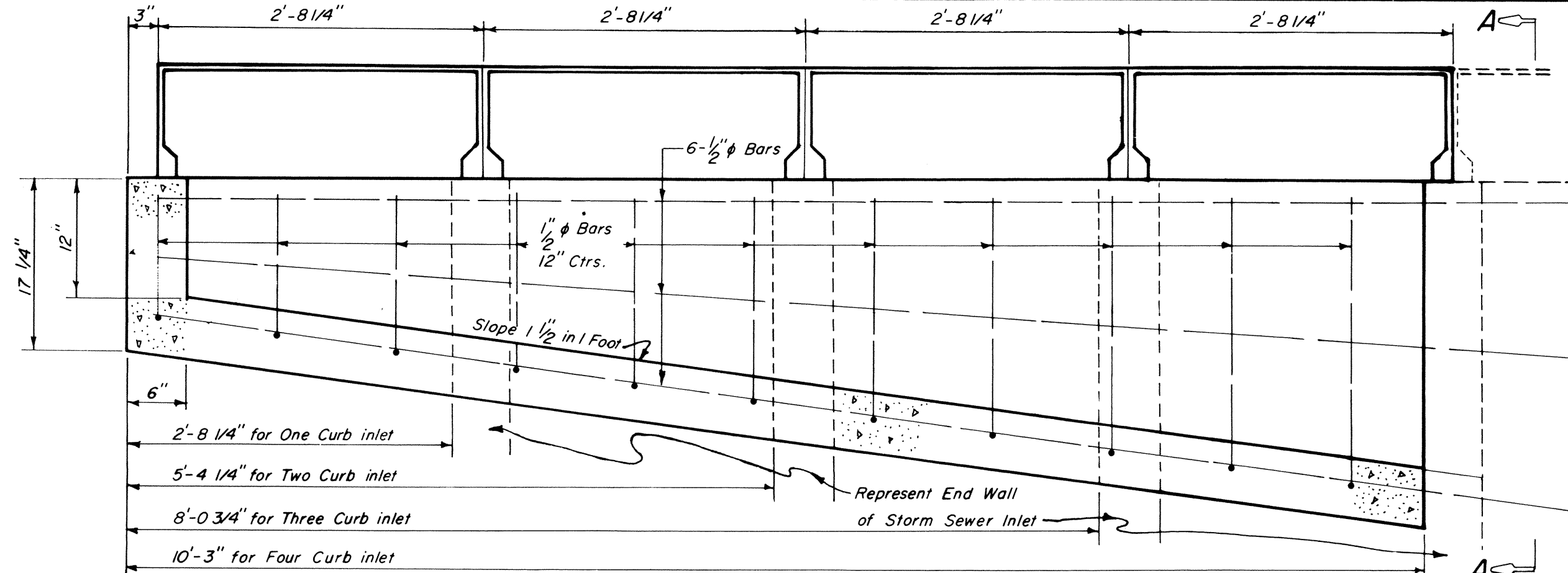
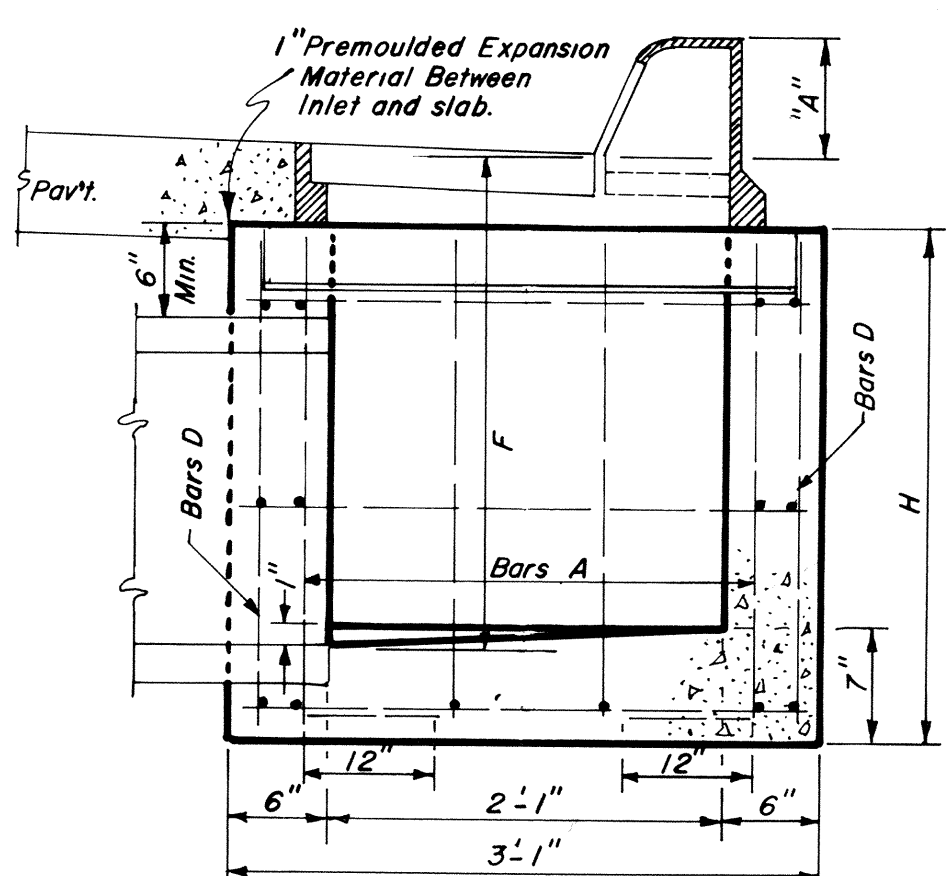
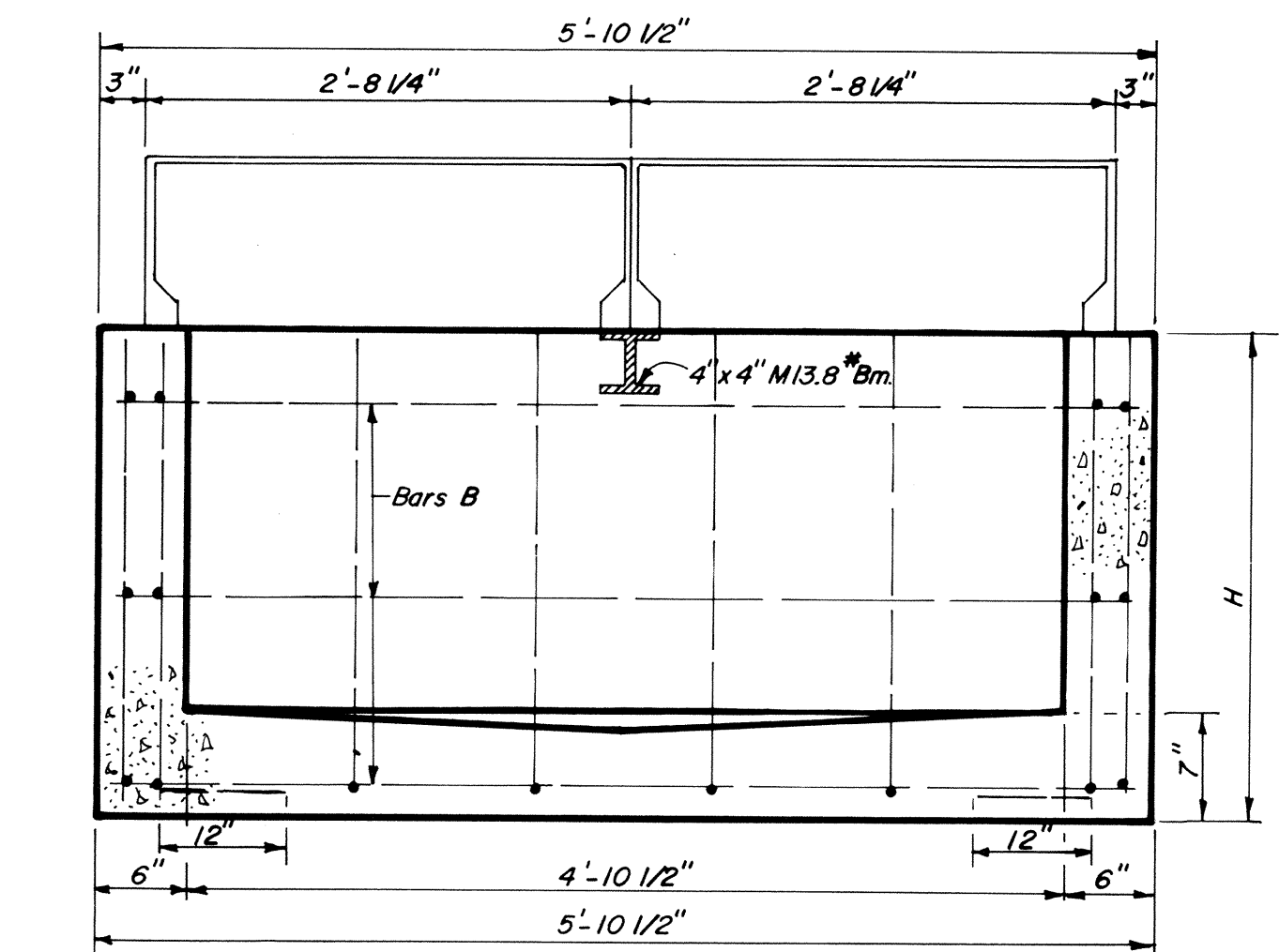
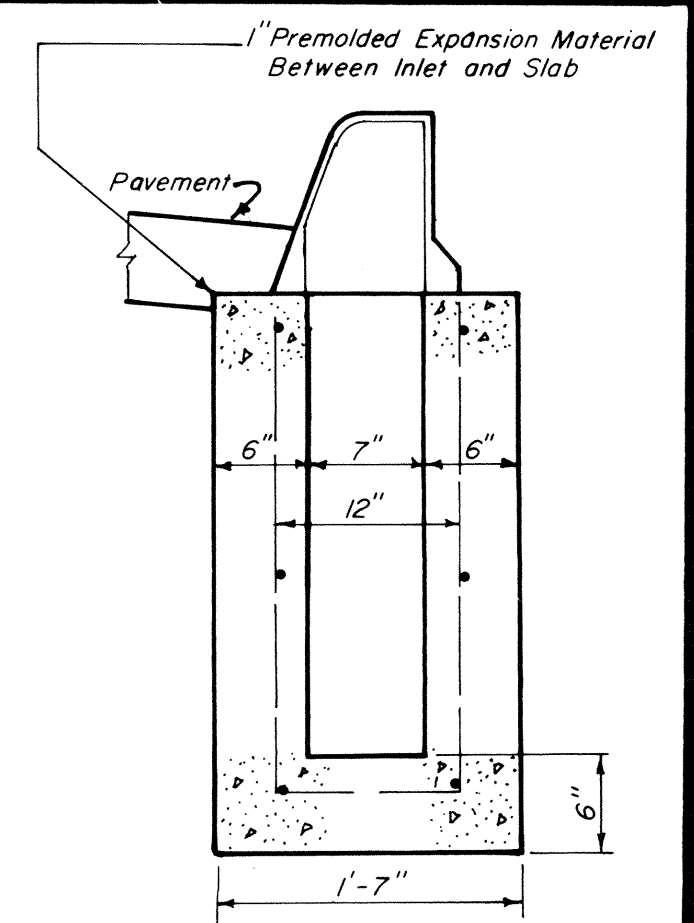


BAR LIST & QUANTITIES FOR DOUBLE GRATE & CURB INLET						
Size Of Lead	H Minimum	F Minimum	Class A Reinf. Steel Conc. C.Y.	Rein. Steel Lbs.		
18"	2'-8 1/2"	2.57 Ft.	1.02	137		
24"	3'-3"	3.11 Ft.	1.18	147		
30"	3'-9 1/2"	3.66 Ft.	1.34	180		
Lead	Per Additional Foot Of Depth Conc. C.Y.	Vert. Steel-Lbs.	Bars A (Min.) Size	No.		
18"	0.295	19.0	*	14		
24"			1/2"Øx(H+8")	14		
30"			1/2"Øx(H+8")	14		
Lead	Bars B Size	No.	Bars C Size	No.	Bars D (Min.) Size	No.
18"	1/2"Øx5'-6"	14	1/2"Øx2'-9"	16	1/2"Øx(H-4")	14
24"	1/2"Øx5'-6"	14	1/2"Øx2'-9"	16	1/2"Øx(H-4")	14
30"	1/2"Øx5'-6"	18	1/2"Øx2'-9"	20	1/2"Øx(H-4")	14

\*Horizontal bars are approx. 12" Ctrs. When additional bars are required due to increase in depth of inlet, 22.5 Lbs. of reinforcing steel is to be added for each additional set of bars.



ELEVATION



SECTION "A-A"

- GENERAL NOTES**
- Castings shall conform to the A.S.T.M. Specifications for Gray-Iron Castings, A-48-Class 20.
  - No wording or marking of any kind other than those shown on the plans will be permitted on these castings.
  - All bolts required for these structures shall be machine bolts.

**"BRICK" OPTION IN PLACE OF CONCRETE**  
 (igid Inside Dimensions Given For Concrete  
 6" PC Concrete Floor & Brick Walls)

Quantities Req'd	3-0	3-1	3-2	3-3	3-4
Brick (1/2" Joints)	445	725	995	1250	1495
1:2 Mortar C.Y.	0.32	0.53	0.72	0.91	1.09
3500 Concrete C.Y.	0.4	0.60	0.80	1.00	1.20

**VARIABLE DIMENSIONS FOR ALL CURB CASTINGS**

	"A"	"B"	"C"
6" Curb Face	7"	11 3/8"	8 1/4"
8" Curb Face	9"	13 3/8"	10 1/4"

**QUANTITIES FOR CURB INLETS**

	Cl. "A" Conc.	Steel
One Curb Inlet	0.20	26
Two Curb Inlet	0.43	44
Three Curb Inlet	0.69	62
Four Curb Inlet	0.95	80

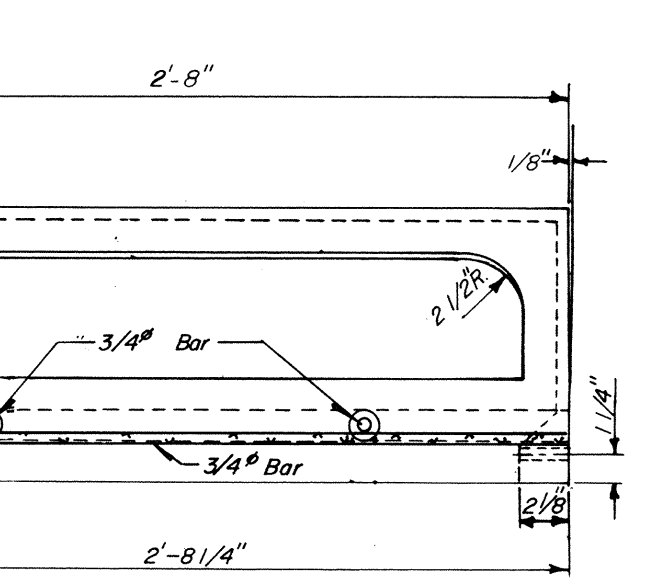
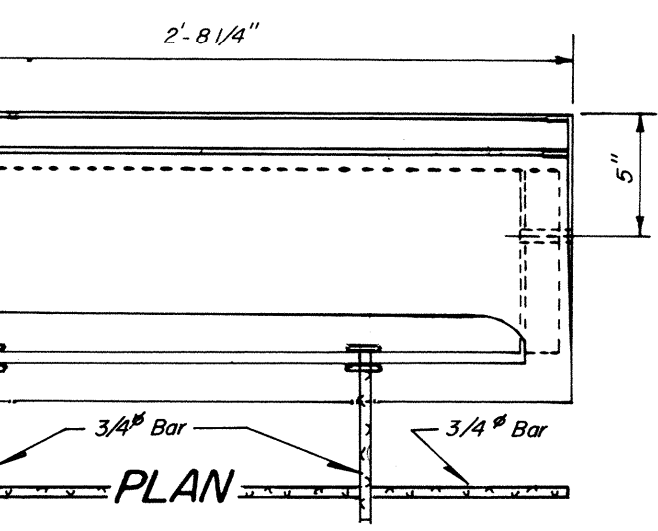
**CAST IRON INLET NUMBER**

NO.	(1) Inlet	VG-F Grate	(2) Inlet
2-0	2	2	
2-1	2	2	2
2-2	2	2	4
2-3	2	2	6
2-4	2	2	8
2-5	2	2	10

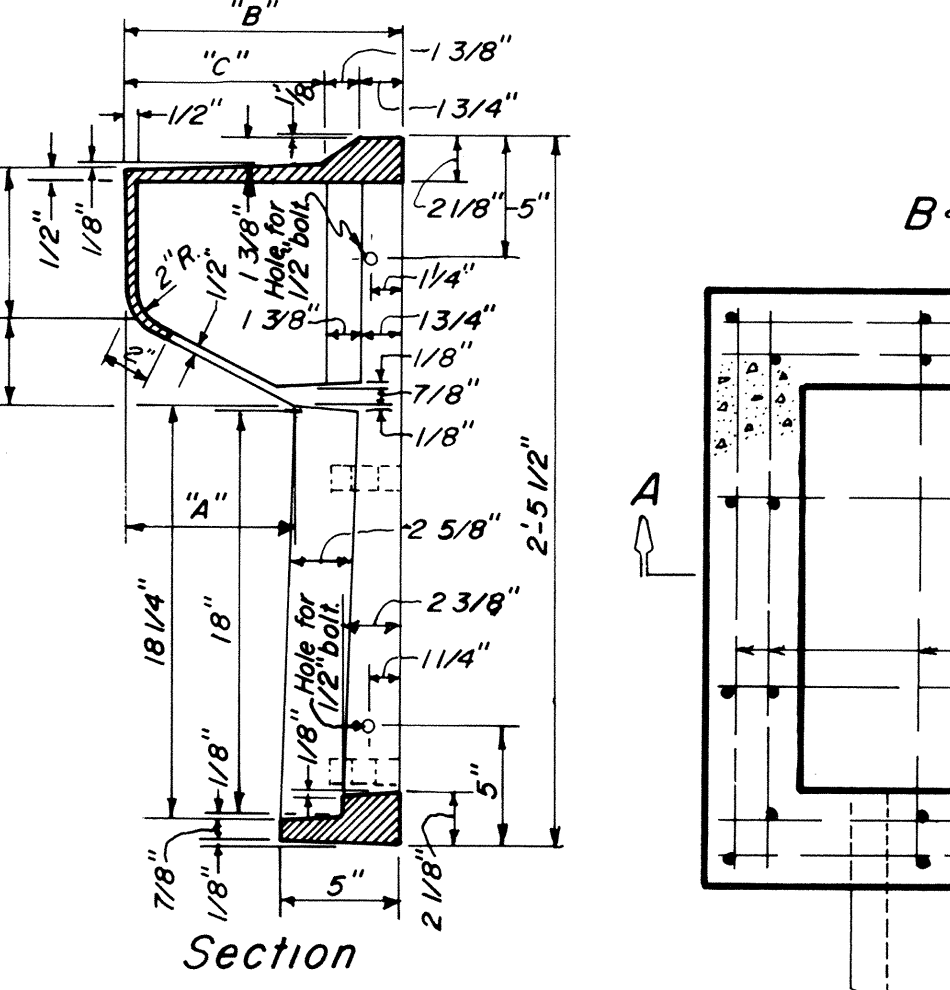
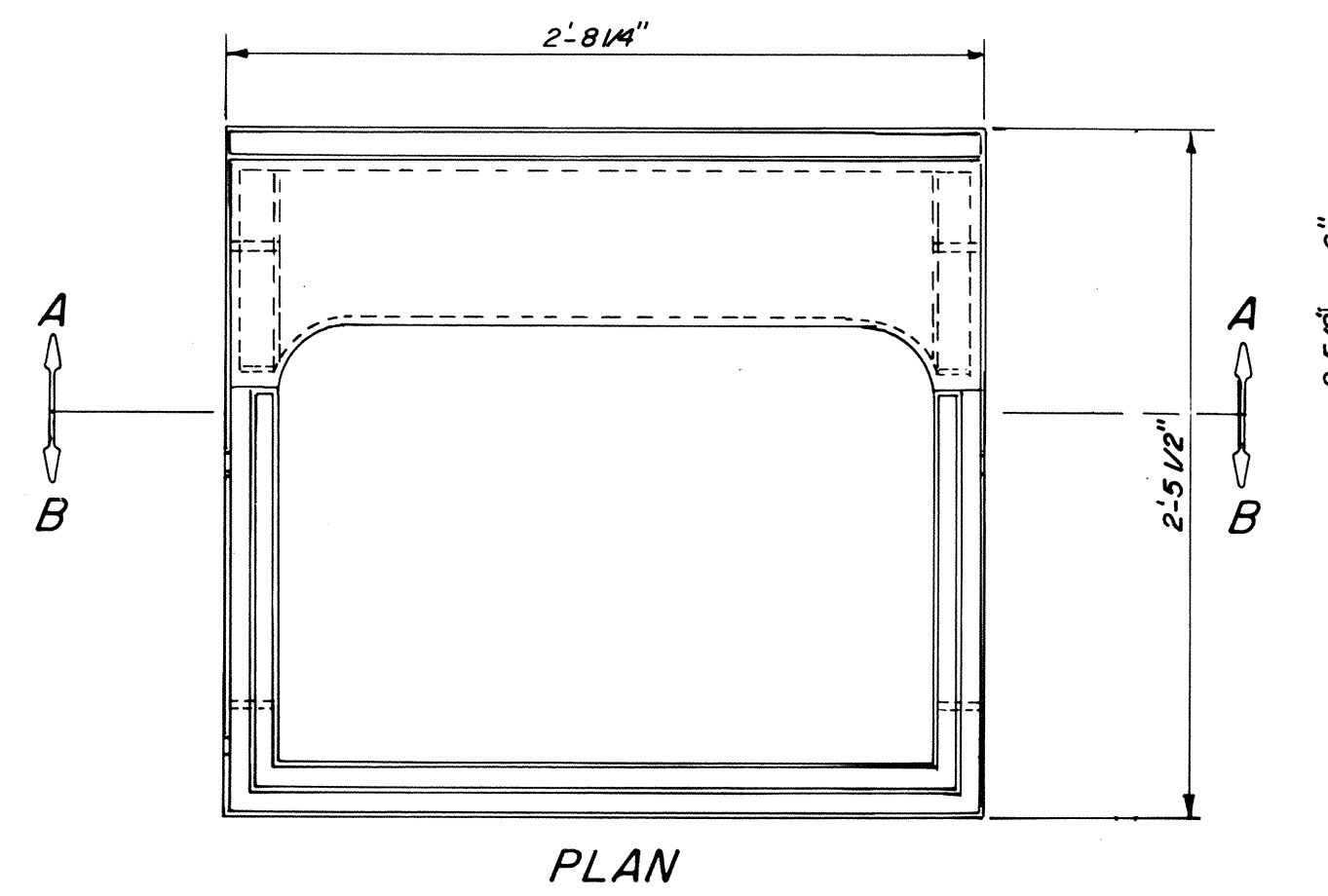
Curb Inlets Shall Be Place On Upstream Side Of Grate Inlets Unless Otherwise Specified, Concrete Trough For Curb Inlets And Concrete Storm Sewer Inlets Shall Be Constructed As One Unit.

**MAXIMUM ACCEPTABLE INLET CAPACITIES**

STD. INLET NO.	GRATE CFS	HOOD CFS	TOTAL
1-0	1.6	2.5	4.1
2-0	3.2	5.0	8.2
2-1	3.2	10.0	13.2
2-2	3.2	15.0	18.2
2-3	3.2	20.0	23.2
2-4	3.2	25.0	28.2



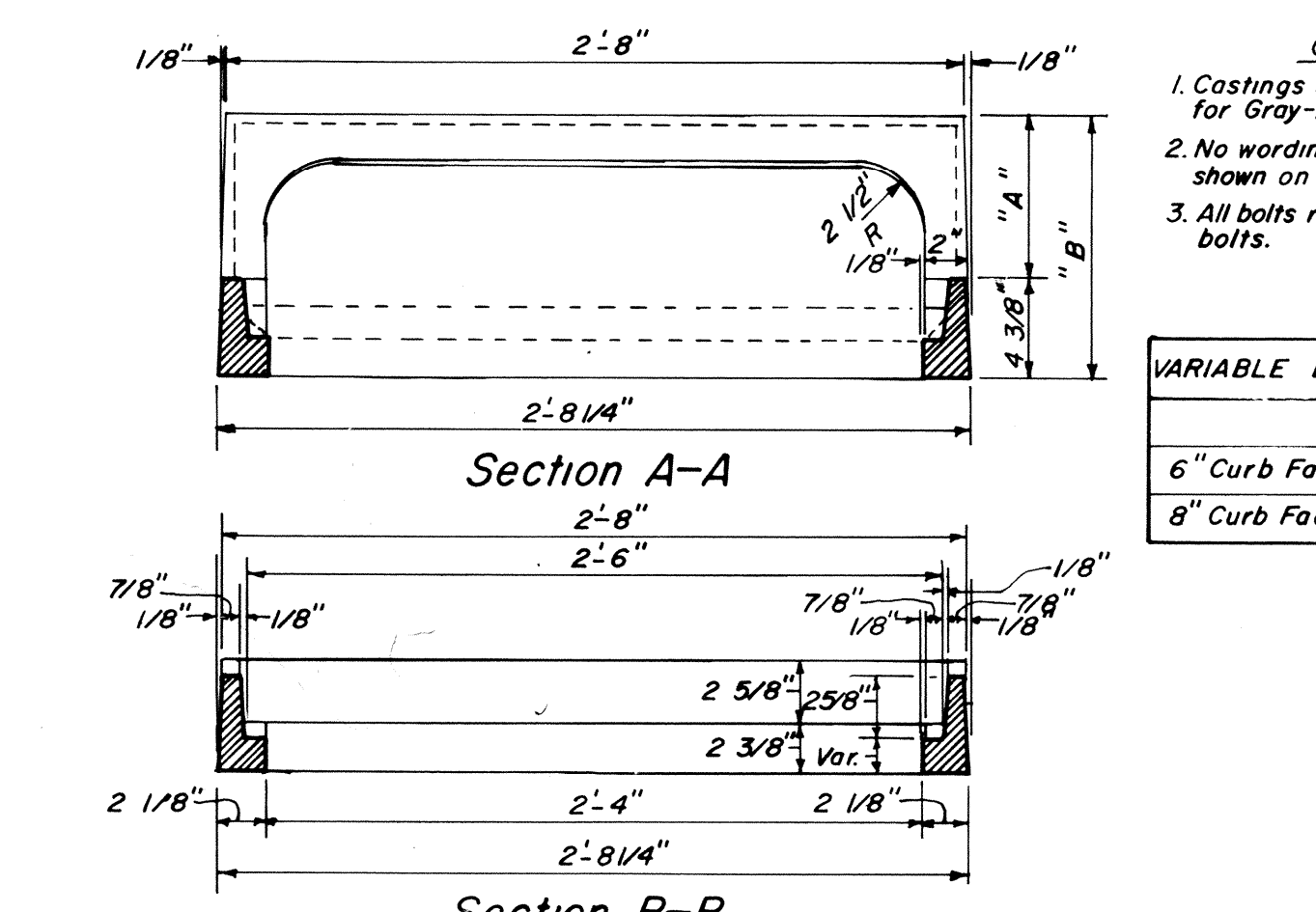
ELEVATION  
SECTION  
CAST IRON STORM SEWER CURB INLET (2)



**BAR LIST & QUANTITIES FOR SINGLE GRATE & CURB INLET**

Size Of Lead	H Minimum	F Minimum	Class A Reinf. Steel Conc. C.Y.	Rein. Steel Lbs.		
15"	2'-3 1/4"	2.14 Ft.	0.54	86		
18"	2'-6 1/2"	2.41 Ft.	0.59	90		
24"	3'-1"	2.95 Ft.	1.34	97		
Lead	Per Additional Foot Of Depth Conc. C.Y.	Vert. Steel-Lbs.	Bars A (Min.) Size	No.		
15"	0.20	13.6	*	10		
18"			1/2"Øx(H+8")	10		
24"			1/2"Øx(H+8")	10		
Lead	Bars B Size	No.	Bars C Size	No.	Bars D (Min.) Size	No.
15"	1/2"Øx2'-10"	14	1/2"Øx2'-9"	14	1/2"Øx(H-4")	10
18"	1/2"Øx2'-10"	14	1/2"Øx2'-9"	14	1/2"Øx(H-4")	10
24"	1/2"Øx2'-10"	14	1/2"Øx2'-9"	14	1/2"Øx(H-4")	10

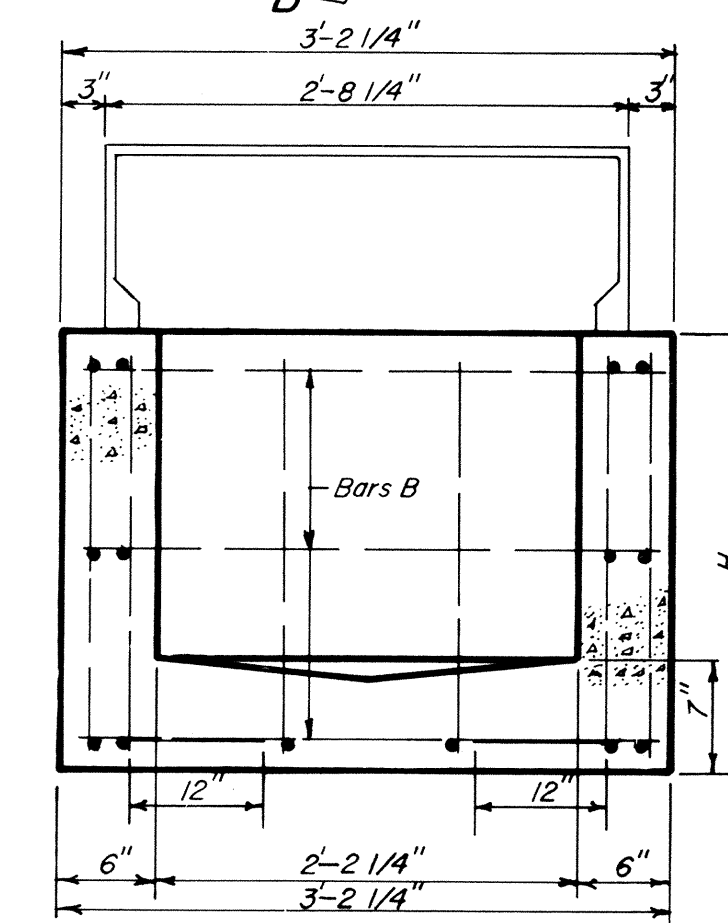
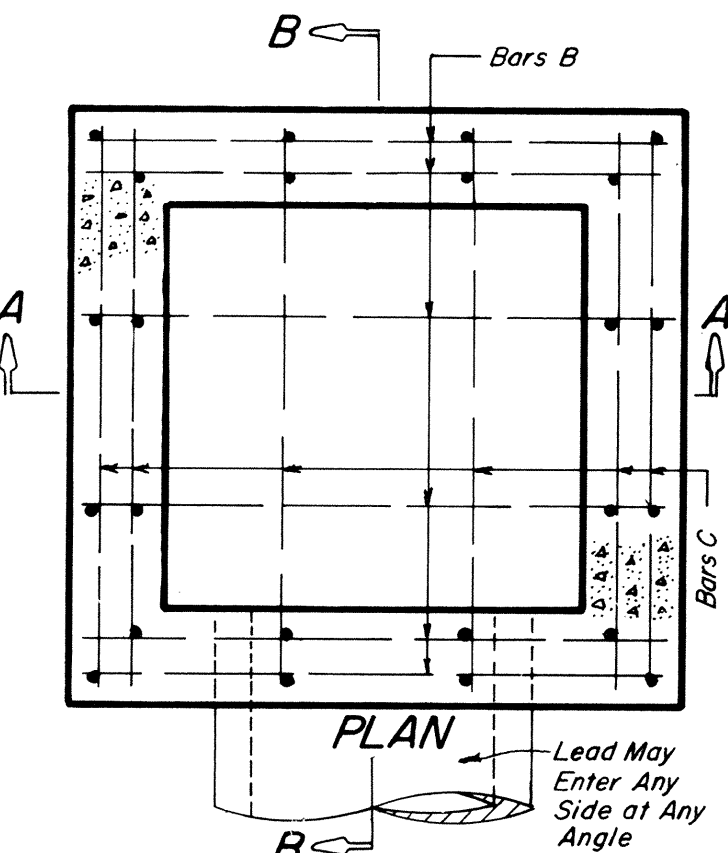
\*Horizontal bars are approx. 12" Ctrs. When additional horizontal bars are required due to increase in depth of inlet, 15.2 Lbs. of reinforcing steel is to be added for each additional set of bars.



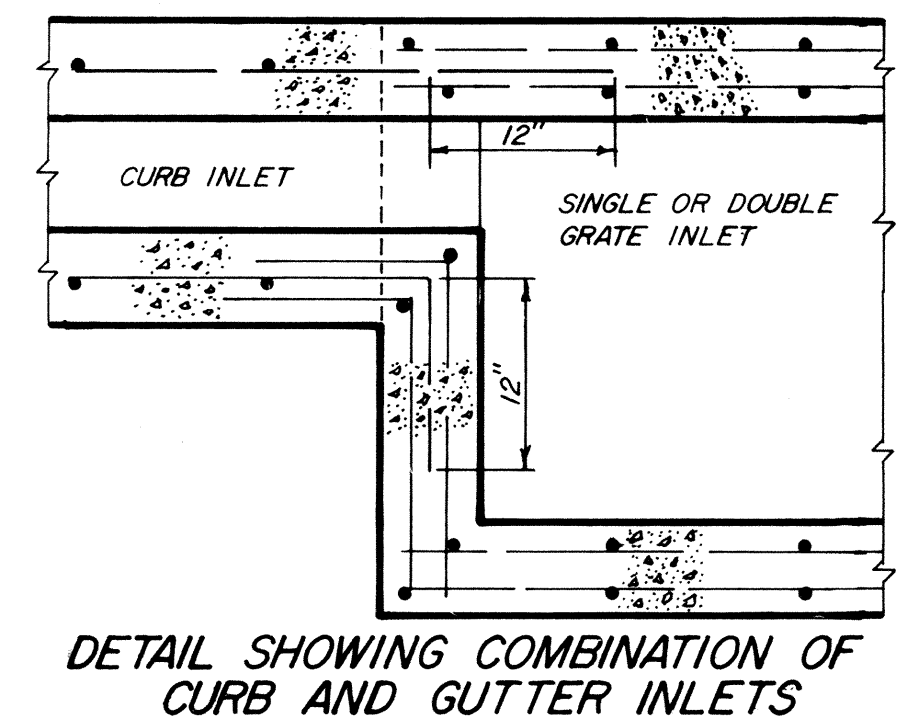
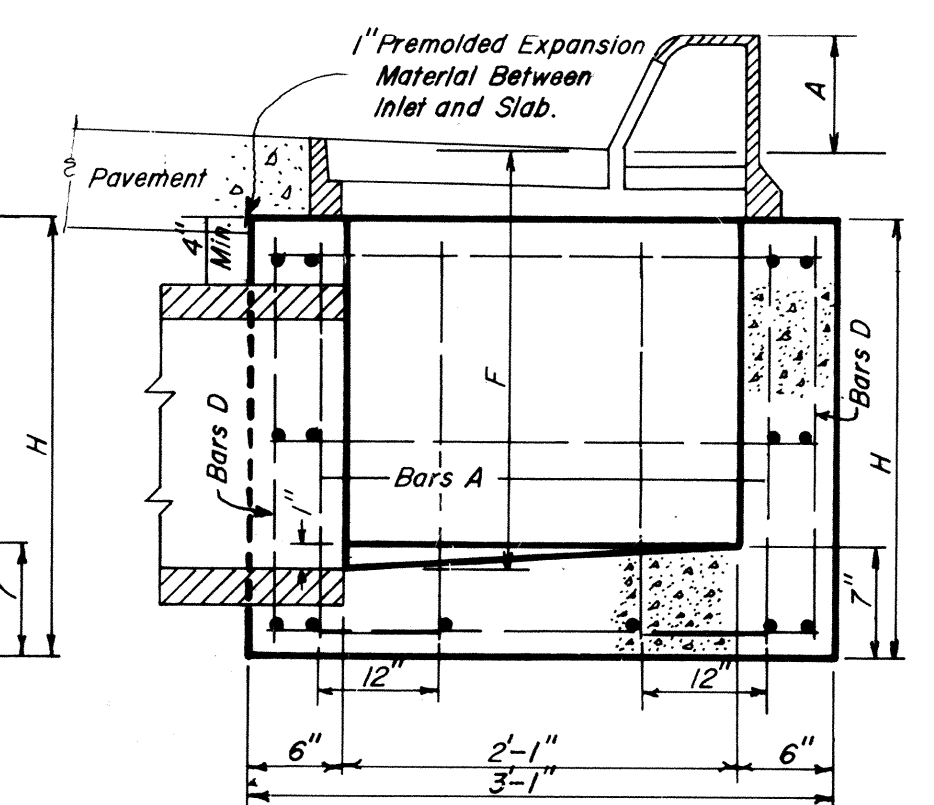
- GENERAL NOTE**
- Castings shall conform to the A.S.T.M. Specifications for Gray-Iron Castings, A-48-Class 20.
  - No wording or marking of any kind other than those shown on the plans will be permitted on these castings.
  - All bolts required for these structures shall be machine bolts.

**VARIABLE DIMENSIONS FOR ALL CURB CASTINGS**

	"A"	"B"	"C"
6" Curb Face	7"	11 3/8"	8 1/4"
8" Curb Face	9"	13 3/8"	10 1/4"



Section A-A  
SINGLE GRATE INLET



DETAIL SHOWING COMBINATION OF CURB AND GUTTER INLETS

**FOR STANDARD CAST INLET GRATE  
SEE STANDARD No. "D-4"**

**PAVING AND DRAINAGE MAINTENANCE BOND:**

FIRST YEAR - 100% OF CONSTRUCTION COST  
 SECOND YEAR - 80% OF CONSTRUCTION COST  
 THIRD YEAR - 75% OF CONSTRUCTION COST  
 FOURTH YEAR - 50% OF CONSTRUCTION COST  
 FIFTH YEAR - 25% OF CONSTRUCTION COST

APPROVED *Gene W. Sayers*  
 Gene W. Sayers  
 City Engineer

ORDINANCE No. 291

DESIGN STANDARD DETAILS  
 CITY OF CHOCTAW OKLAHOMA  
**STANDARD CAST IRON  
 INLET DETAILS**

D-2

3-15-01  
 11-20-95  
 2-12-97  
 BY: DESIGN ENGINEERS, INC. Latest Revision 1-1-88