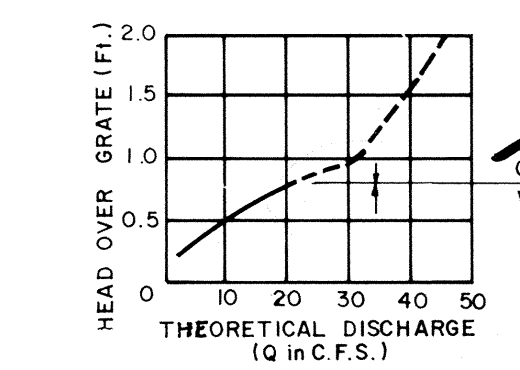
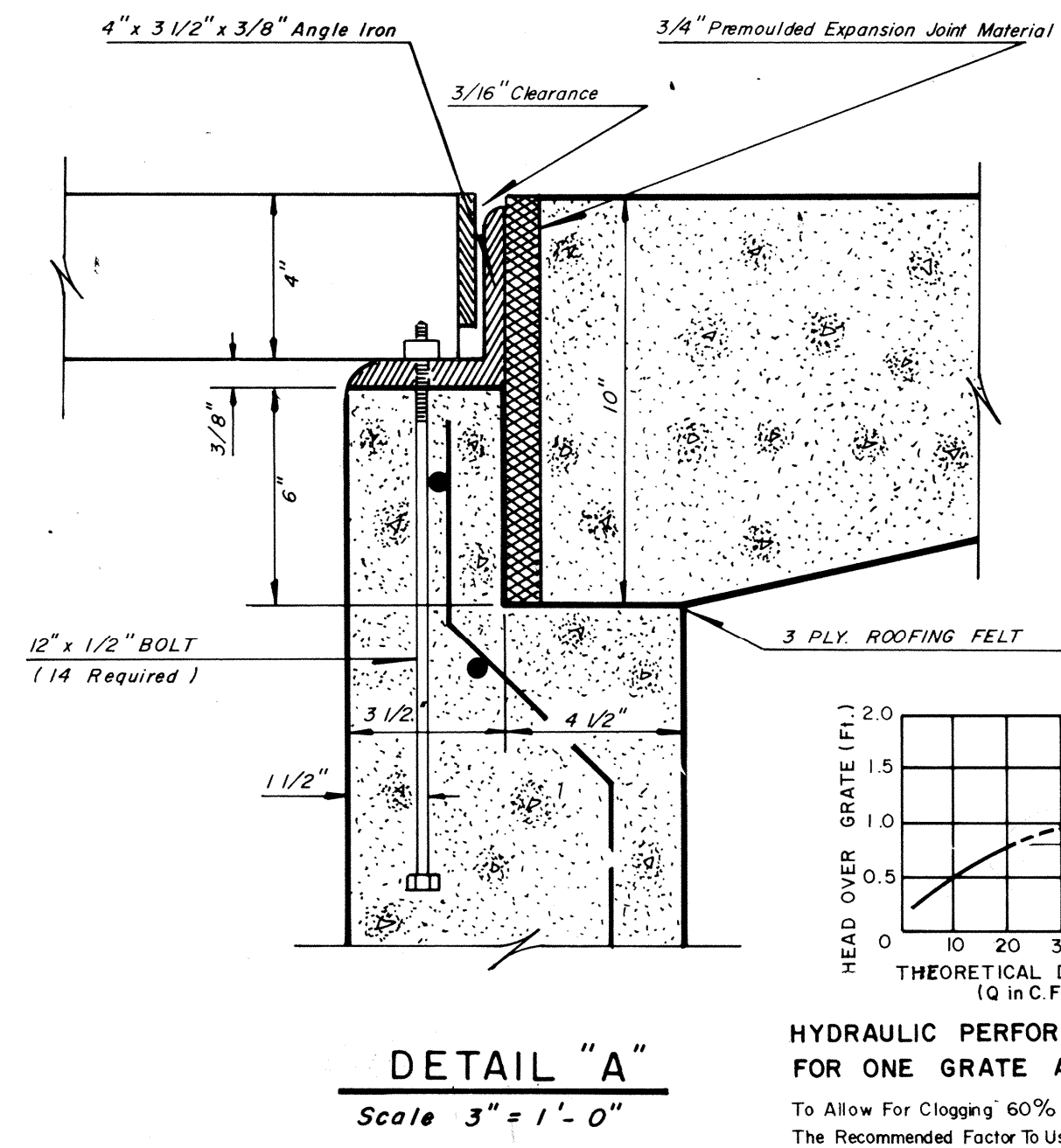
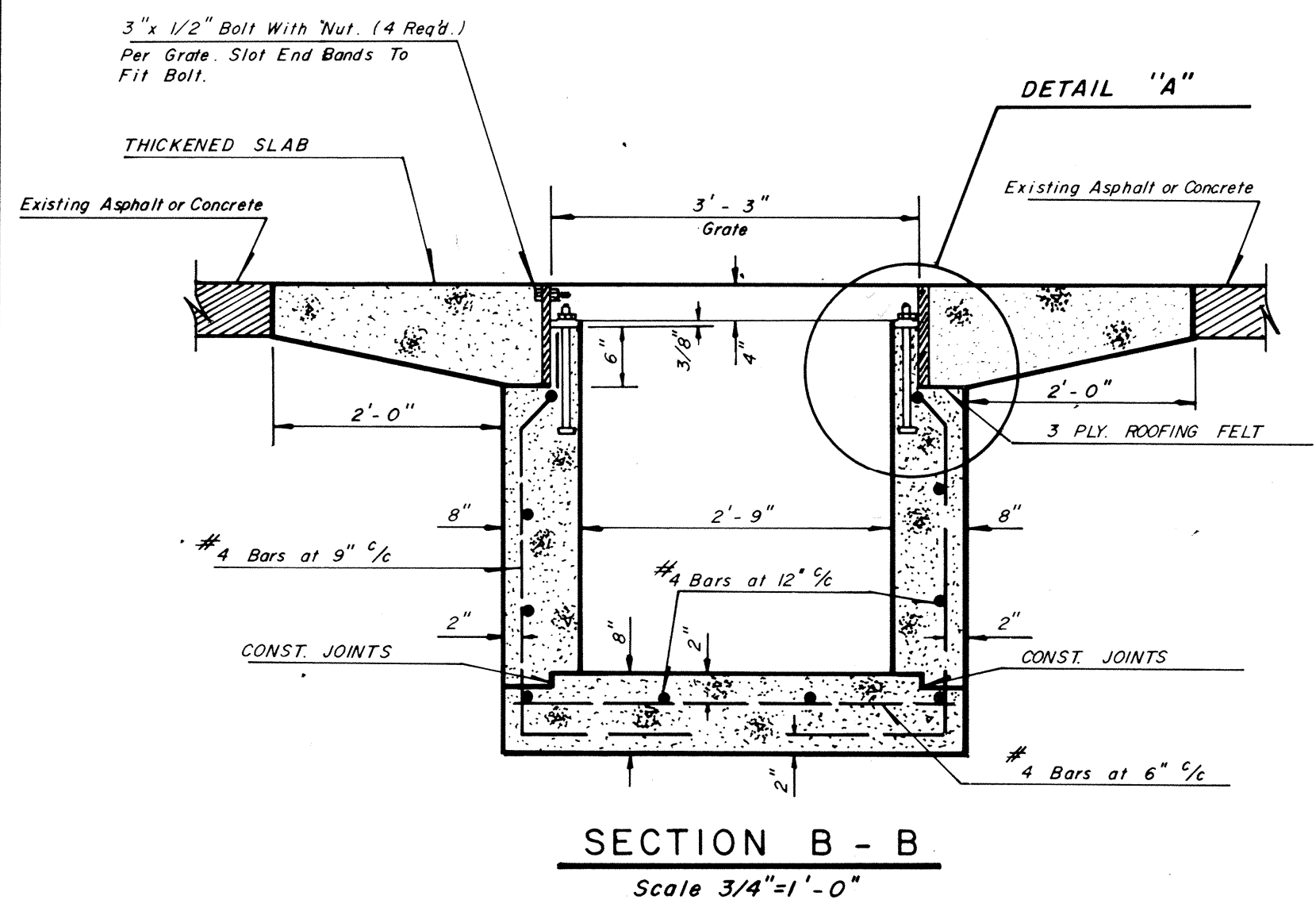


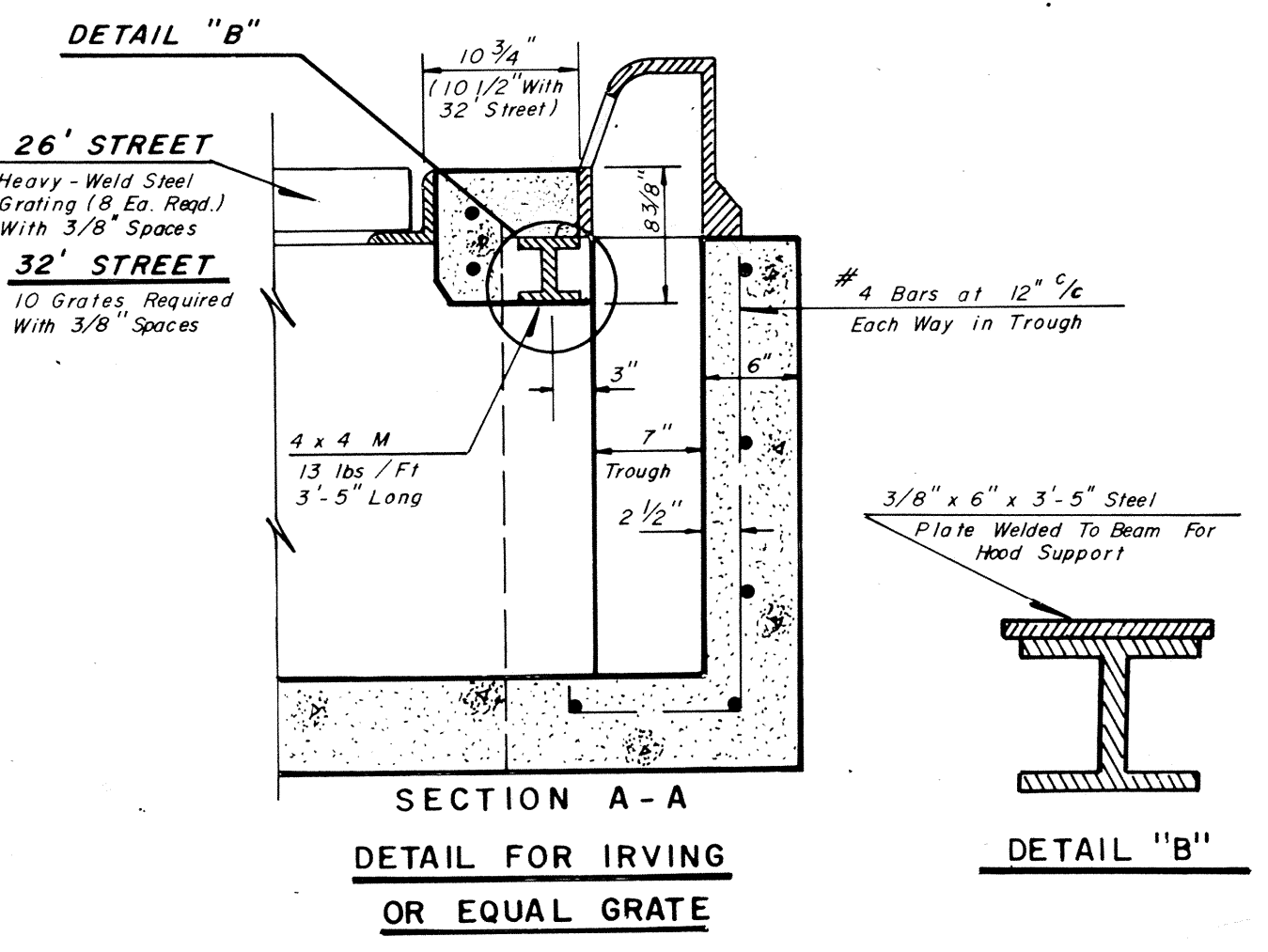
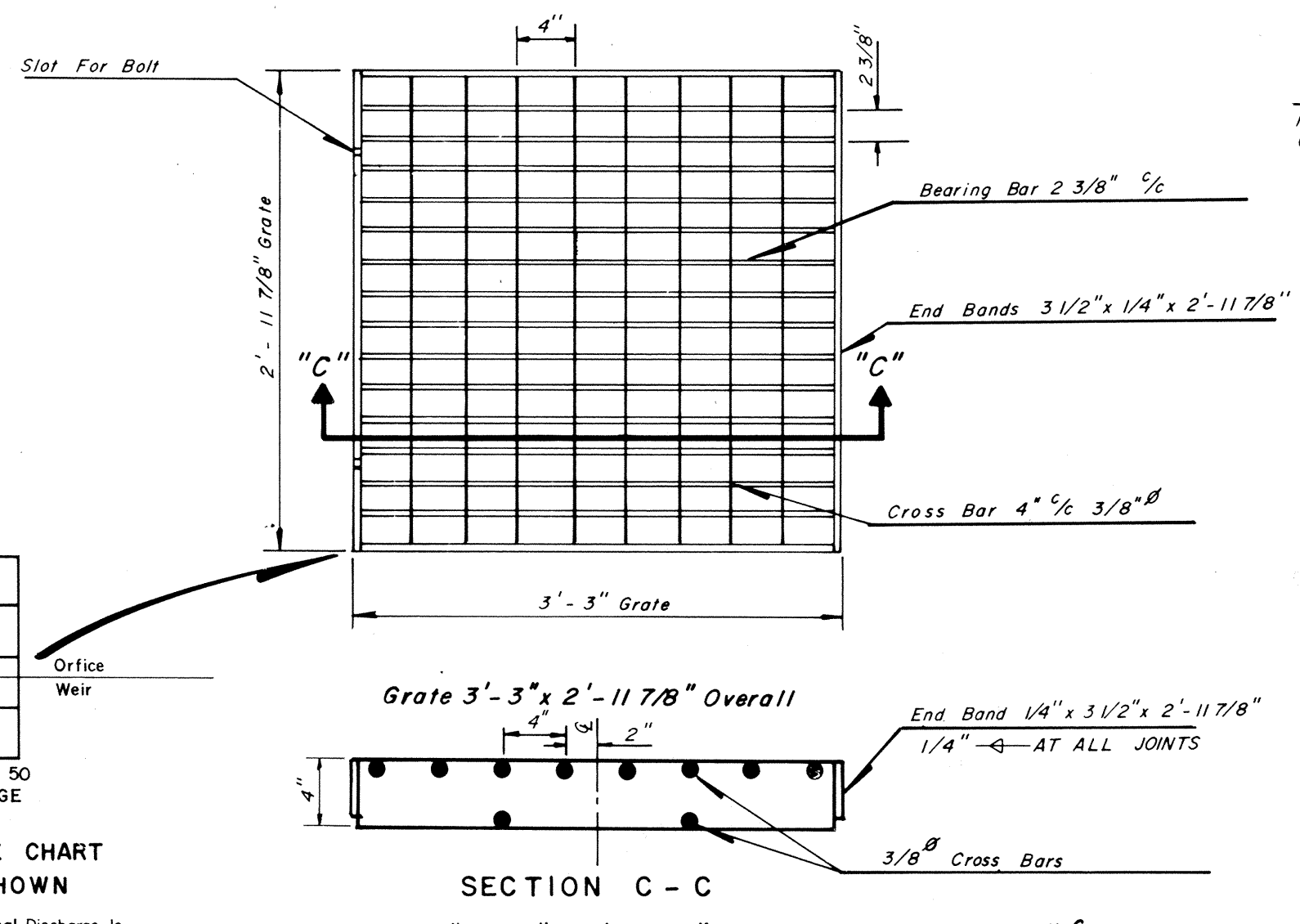
PAVING AND DRAINAGE MAINTENANCE BOND:

FIRST YEAR	- 100% OF CONSTRUCTION COST
SECOND YEAR	- 80% OF CONSTRUCTION COST
THIRD YEAR	- 75% OF CONSTRUCTION COST
FOURTH YEAR	- 50% OF CONSTRUCTION COST
FIFTH YEAR	- 25% OF CONSTRUCTION COST



HYDRAULIC PERFORMANCE CHART FOR ONE GRATE AS SHOWN

To Allow For Clogging 60% Theoretical Discharge Is The Recommended Factor To Use In Areas Subject To Debris.



16 Bearing Bars 4" x 1/4" x 3'-2 1/2" Long Spaced At 2 3/8" c/c Overall Dimensions 3'-3" x 2'-11 7/8" Arranged With 4" x 1/4" Bearing Bars 3'-2 1/2" Long With End Banding 3 1/2" x 1/4" End Bands 2'-11 7/8" Long & 3/8" Cross Bars Spaced 4" c/c & (2) 3/8" Cross Bars on Bottom Spaced As Shown

1 KG INDUSTRIES IRVING HEAVY-WELD STEEL GRATING TYPE HE OR EQUAL

9-3-85
ORDINANCE No. 291

DESIGN STANDARD DETAILS
CITY OF CHOCTAW OKLAHOMA

GRATED STREET INLET DETAIL
HEAVY-WELD STEEL GRATE TYPE

APPROVED *Gene W. Sayers*
Gene W. Sayers
City Engineer

3-15-01
BY: DESIGN ENGINEERS, INC. LATEST REVISION 1-1-88