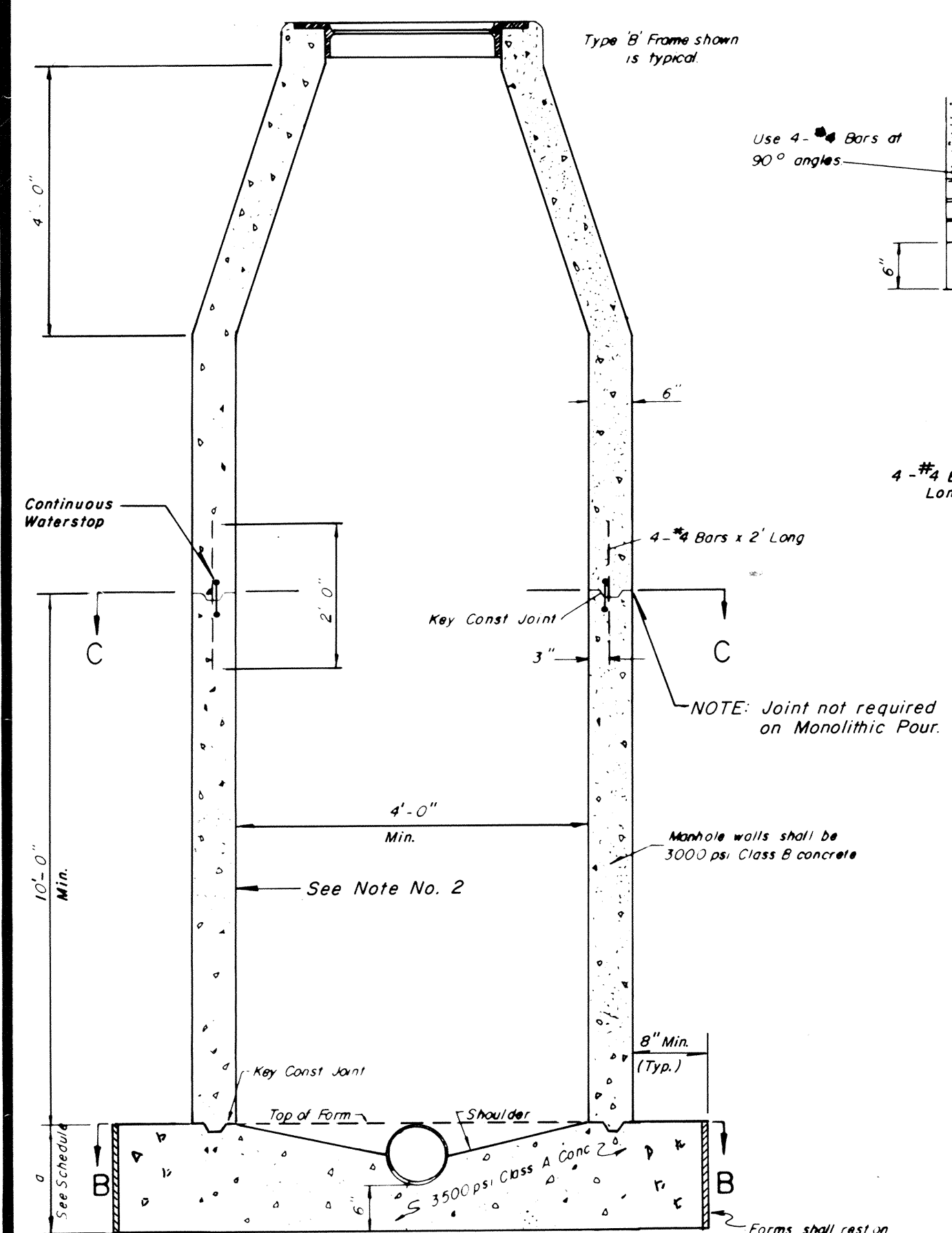
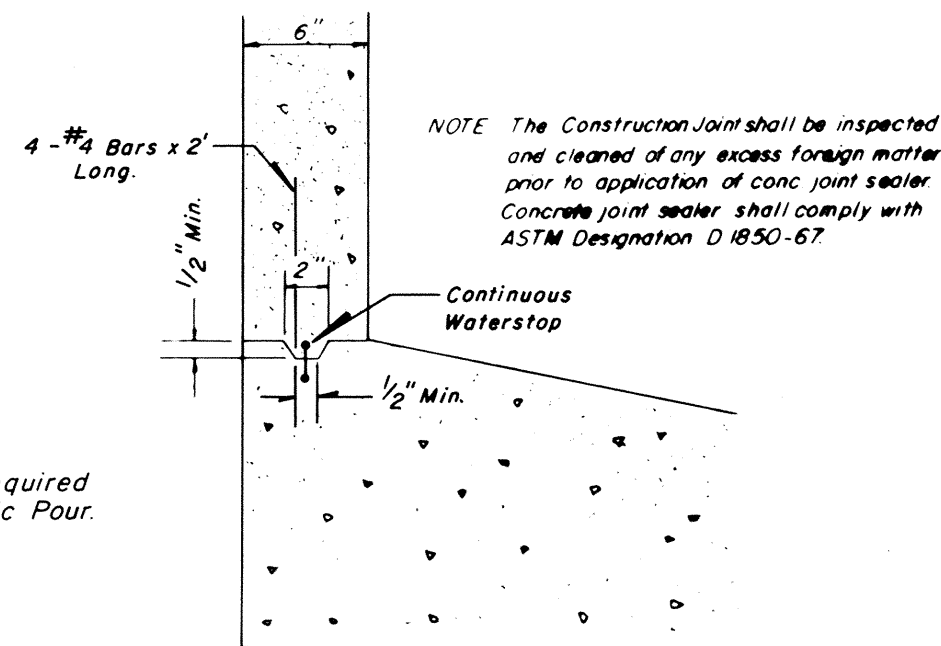
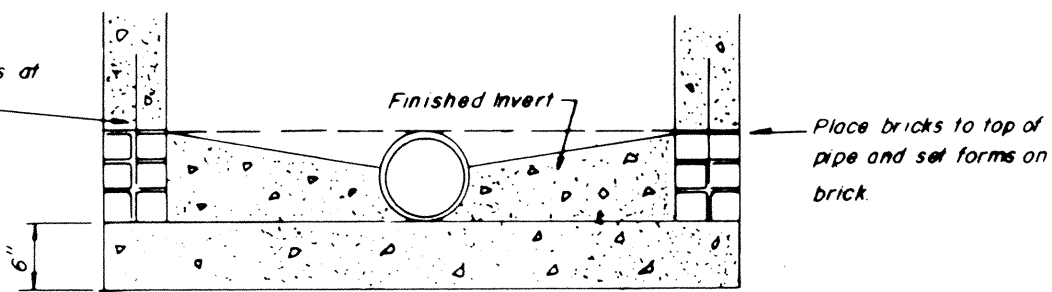


**STANDARD
POURED-IN-PLACE MANHOLE**



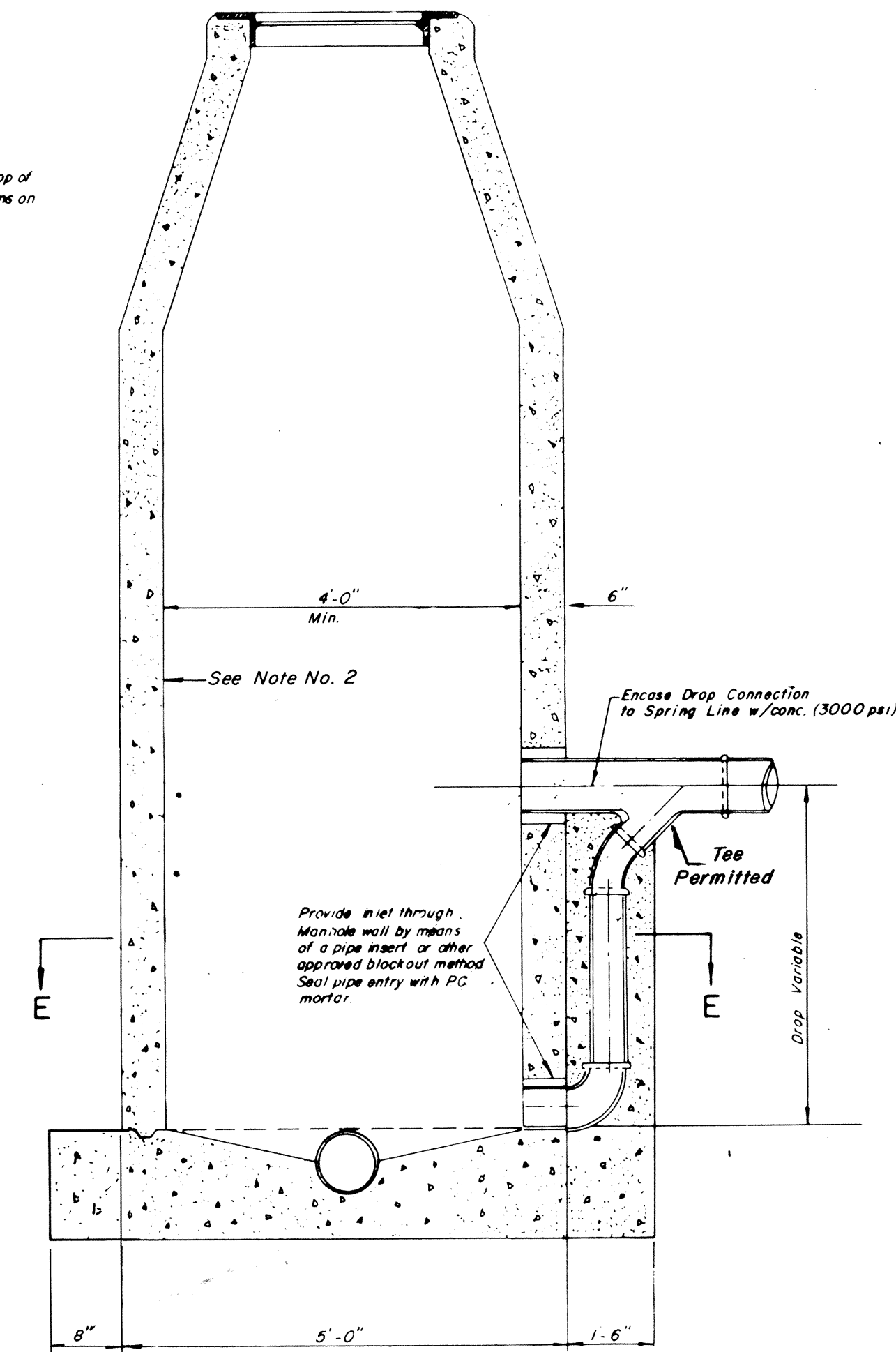
ALTERNATE NO. 1



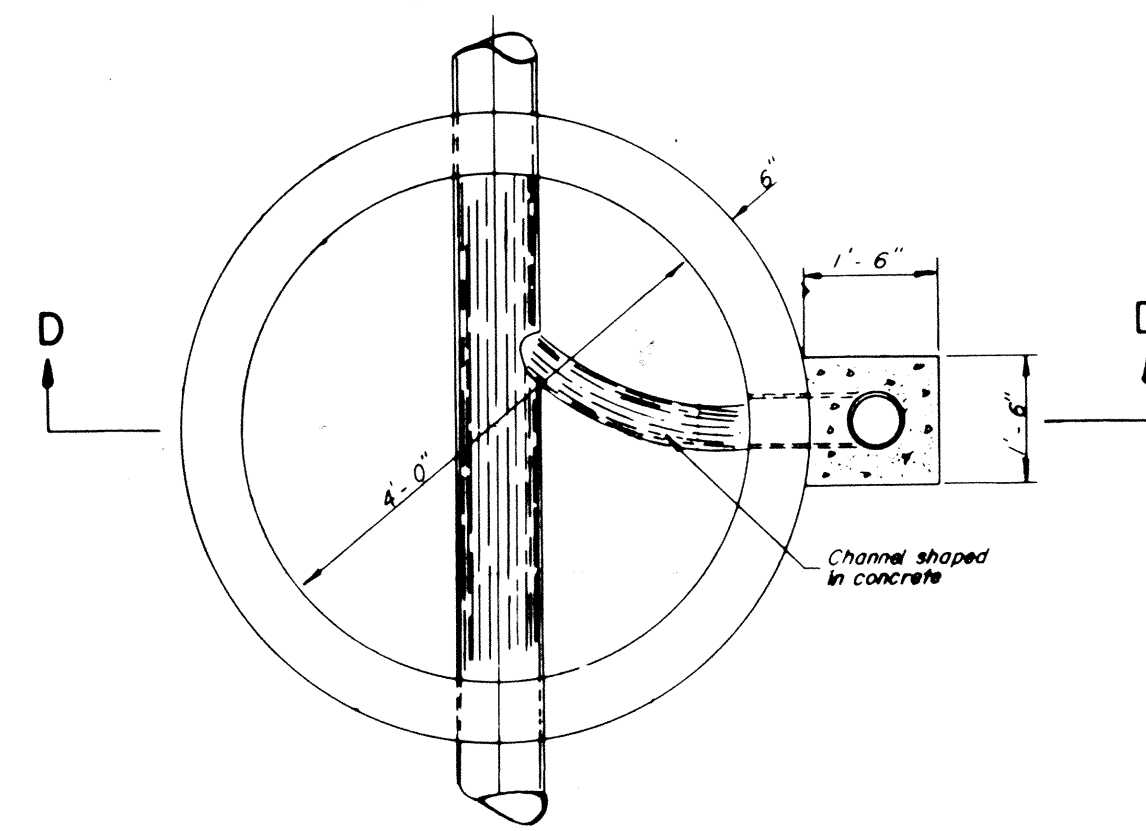
**DETAIL
KEY CONSTRUCTION JOINT
FOR BOTTOM & WALLS**

NOTE
The following Alternate Concrete Mix will be permitted:
Dales Code 3200 or equal. Mix design 3,000 lb pump mix, 1,460 lb of rock, 1,700 lb of sand, 5 1/2 bags of cement or 57 lbs, and sufficient water to produce a 4" slump. No vibration required when placing this mix.

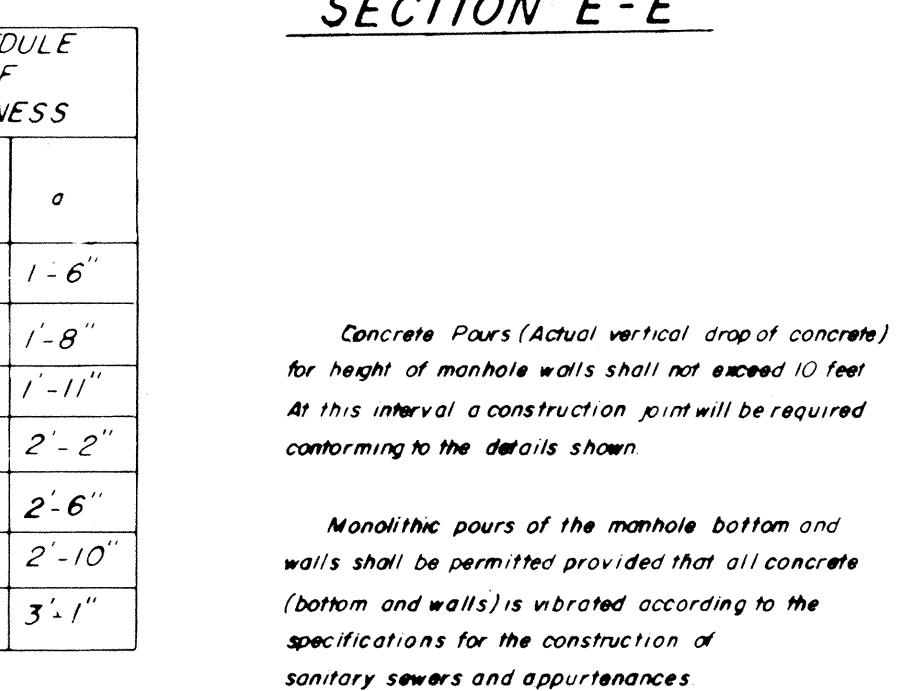
POURED-IN-PLACE DROP MANHOLE



SECTION D-D



SECTION E-E

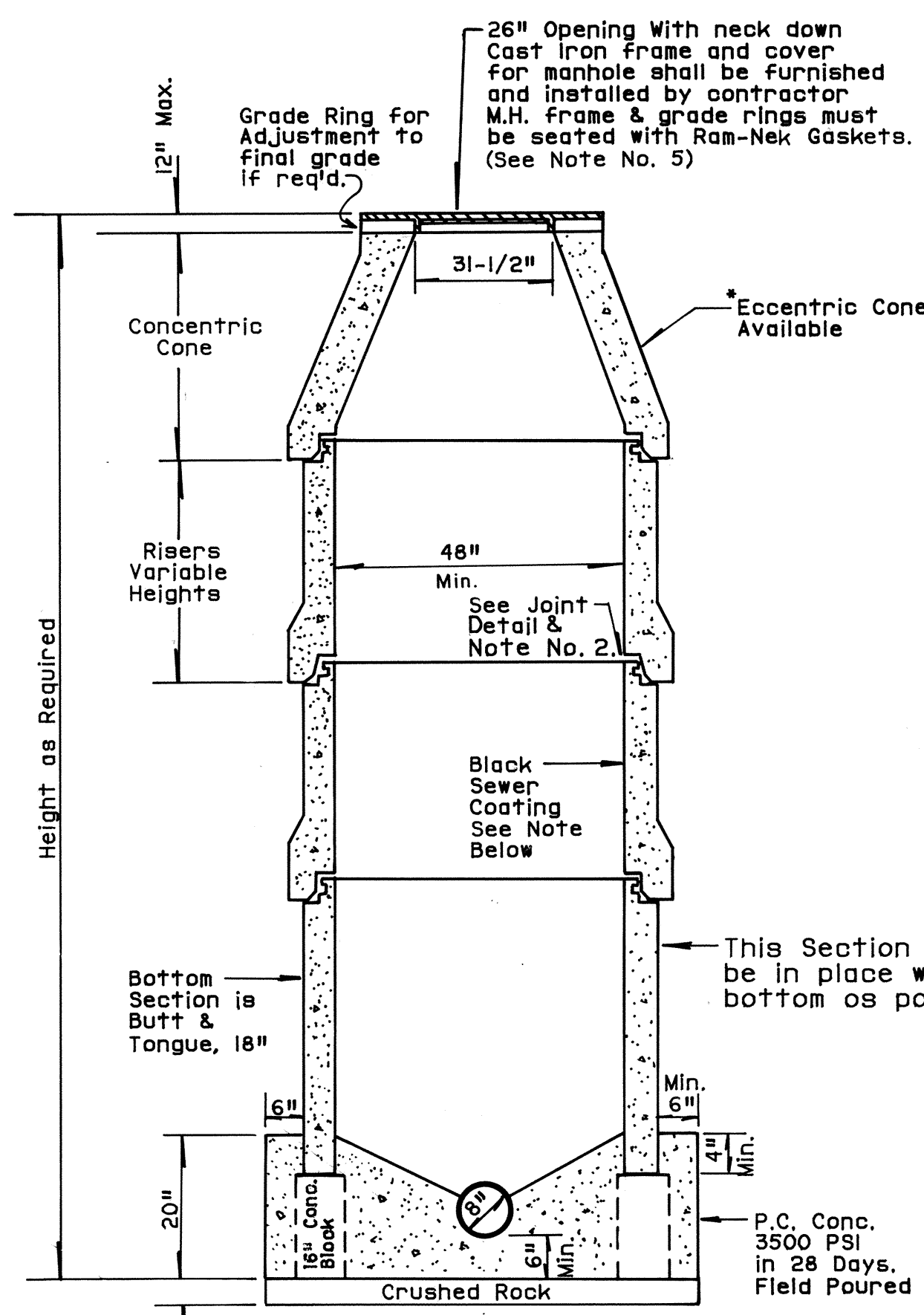


SCHEDULE OF THICKNESS

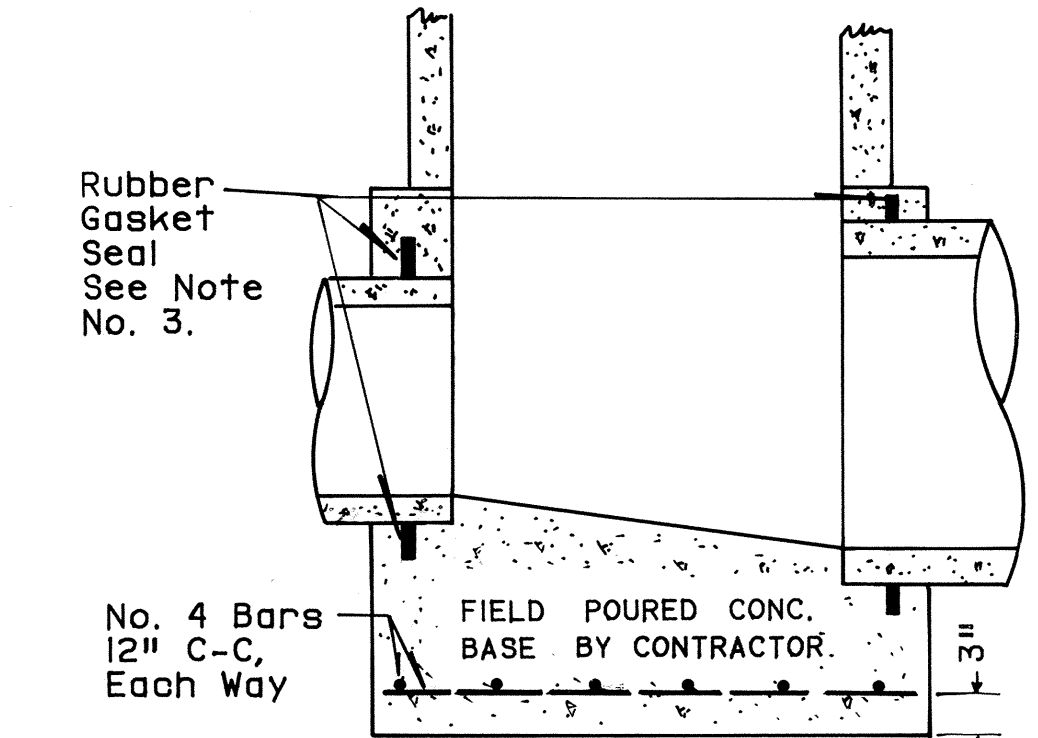
Pipe Diameter	Thickness
8"	1'-6"
10"	1'-8"
12"	1'-11"
15"	2'-2"
18"	2'-6"
21"	2'-10"
24"	3'-1"

**TYPICAL SECTION
To Be Used On
Existing and Future Paving**

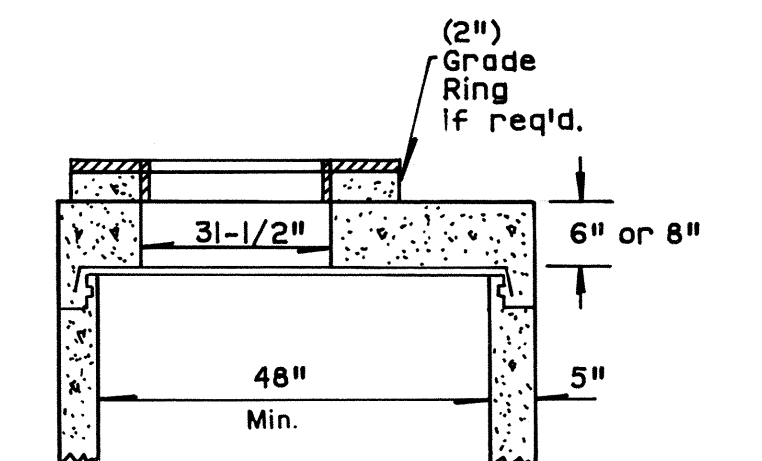
POURED-IN-PLACE MANHOLE



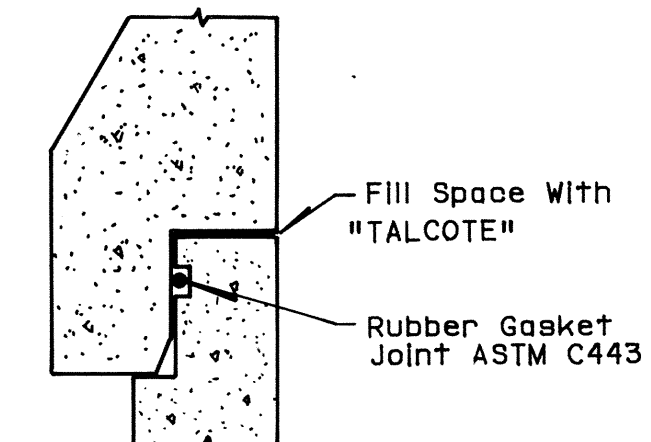
TYPICAL SECTION



**MONOLITHIC POURED
BOTTOM**



*** FLAT SLAB TOP
CROSS SECTION**



JOINT DETAIL

* To be used only with prior written permission of the City Engineer.

DESIGN NOTES:

- All workmanship and materials shall meet or exceed the following specifications:
1. Precast reinforced concrete manhole sections; ASTM C-478.
 2. Joints for circular concrete sewer and culvert pipe, using rubber gasket joints; ASTM C-443.
 3. For bottom not poured monolithic around pipe, resilient connectors between reinforced concrete manhole structures and pipes. ASTM C-923. As manufactured by PSX or Kor-N-Seal. Fill annular space with Talcoite.
 4. Interior joint filler; Talcoite sewer joint compound No. 052 (FINA).
 5. Ring must be seated with; RAM-NEK or RUB'ER NEK (Butyl) as manufactured by K.T. Snyder Co. or M-30 FLEX-TYTE BUTYL as manufactured by Delta Pipe Products, Inc.
 6. NO STEPS
 7. NO LIFT HOLES. Use slings or clamps.
 8. See General & Special Notes on Standard Sheet No. S-1.

SANITARY SEWER IMPROVEMENTS MAINTENANCE BOND-
100% OF CONSTRUCTION COST FOR 2 YEARS.

PRECAST MANHOLE

COATINGS:
Interior walls of manholes shall be coated with one of the following:
KOPPERS: Bitumastic Super Service Black.
TNEMEC: Heavy Duty Black
ANCHOR: Tar Guard Black 3760
COOK: Coal Tar Epoxy 920-B-926
PPG: Coal Cat Coal Tar Epoxy, Black
ENGARD: Super Service Coal Tar 810

APPROVED *Gene W. Sayers*
Gene W. Sayers
City Engineer

ORDINANCE No. 291
9-3-85

DESIGN STANDARD DETAILS
CITY OF CHOCTAW OKLAHOMA
**SPECIAL PRECAST MANHOLE
& POURED-IN-PLACE CONCRETE
MANHOLE DETAILS**

3-15-01
8-16-89
12-13-88
Latest Revision 6-20-88
BY: DESIGN ENGINEERS, INC.